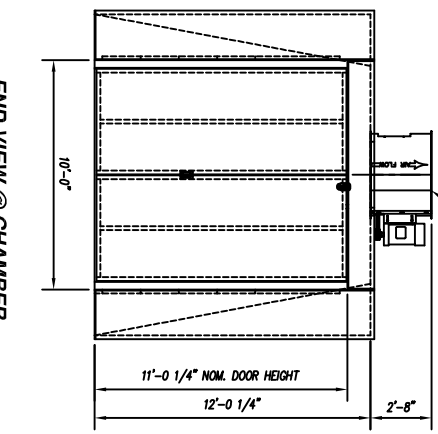
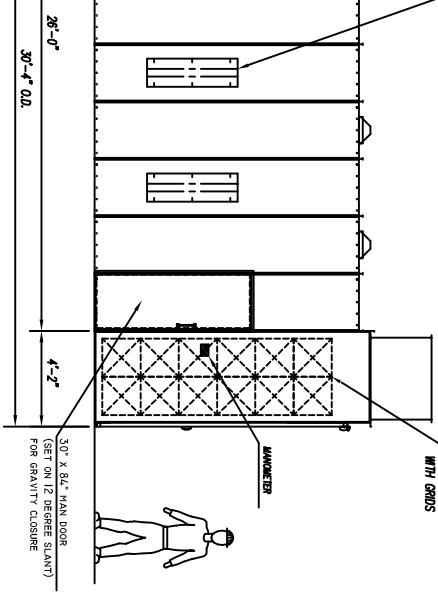
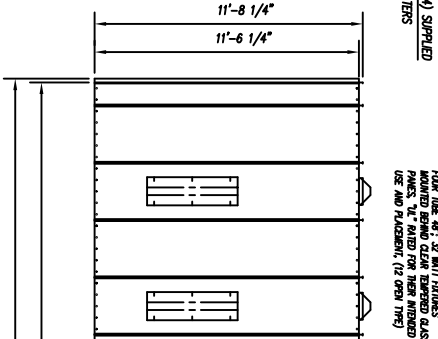
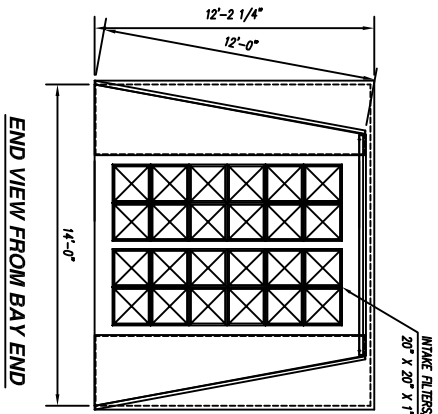
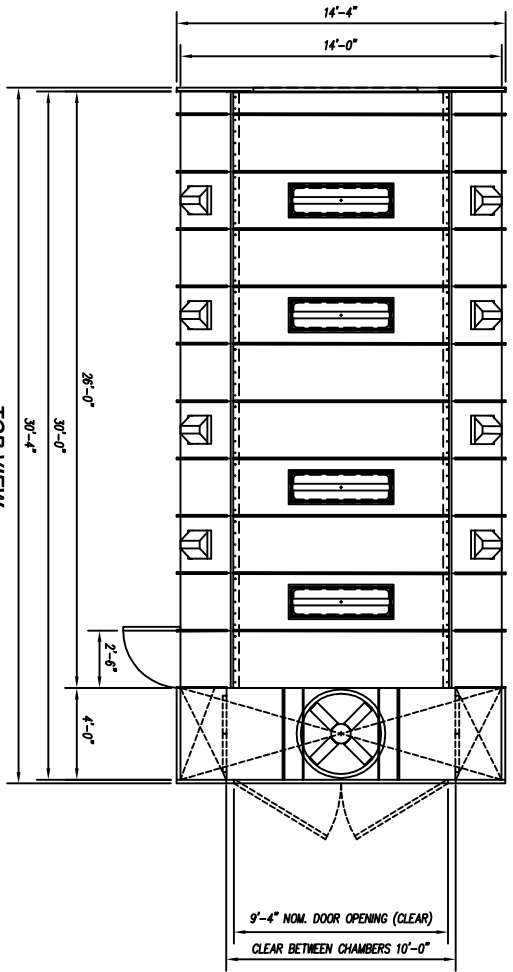


ALL DIMENSIONS ARE NOMINAL



4" DIA. THERMAL PAN UNIT
 RATED FOR 16,000 CFM EXHAUST @ 1/2" SQ.
 OPEN BY A 3/4" DIA. LINE MOTOR 230V/480V 1/4HP/60 CF
 MOTOR - EC-1000 SECTION 301-4-8

ALL DIMENSIONS ARE NOMINAL

DESIGNED BY	PROJECT	
DRAWN BY	DATE	
CHECKED BY	PROJECT	A-Frame Cyclone Auto Truck Booth
DATE	PROJECT	
APPROVED BY	DWG. NO.	SHEET 1