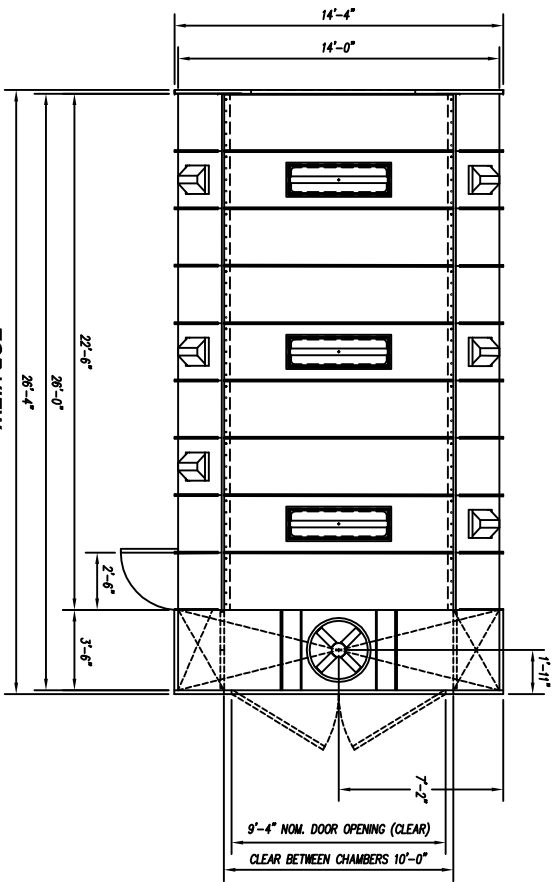
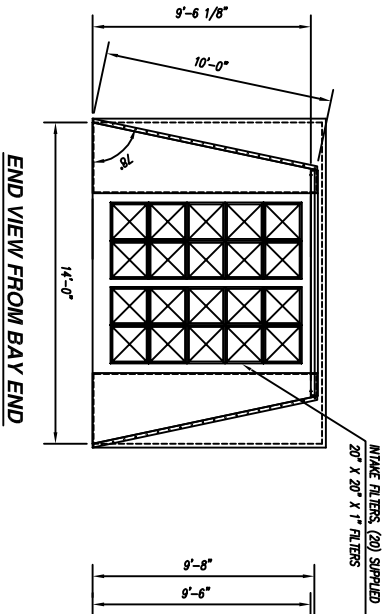


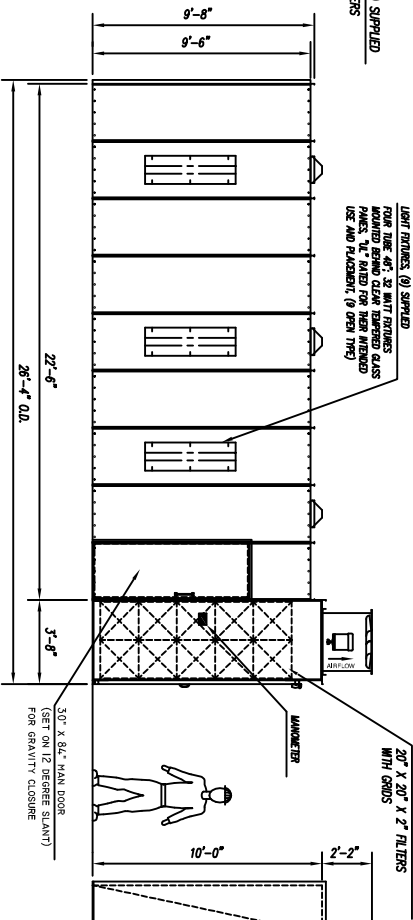
**ALL DIMENSIONS ARE NOMINAL**



**TOP VIEW**



**END VIEW FROM BAY END**



**BOOTH SIDE VIEW**

**END VIEW @ CHAMBER**

**ALL DIMENSIONS ARE NOMINAL**

DESIGNED BY	REVISED BY	<b>A-Frame</b> A-Frame Tornado Booths
DRAWN BY	DATE	
CHECKED BY	PROJECT	A-Frame Tornado Auto Booth
DATE	PROJECT	
APPROVED BY	DWG NO.	SHEET 1